

## CAB-4 Series Cabinets N-6000 Backboxes with Locking Doors

Section: Peripheral Devices

### General

All cabinets for NOTIFIER® fire alarm control panels are fabricated from 16-gauge steel. The cabinet assembly consists of two basic parts: a backbox and a locking door. Cabinets are available in black with LEXAN® windows. The LEXAN model provides a tasteful combination to accent the decor of the finest lobby setting.

- The **key-locked door** is provided with a pin-type hinge, two keys and the necessary hardware to mount the door to the backbox.
- The **backbox** has been engineered to provide ease-of-entry for the installer. **Knockouts** are positioned at numerous points to aid the installer in bringing a conduit into the enclosure with a minimum of hardship.
- **Right- or left-hand hinges**, selectable in the field. Door opens 180°.
- Cabinets are arranged in **three standard sizes**, B (two tiers) through D (four tiers). *See Ordering Information.*

### Ordering Information

A complete cabinet assembly consists of: a door, a backbox, and an optional battery plate. For each cabinet required, order one "DR" door and one "SBB" backbox. The BP-4 battery plate is required for each cabinet assembly that mounts batteries and/or a power supply in the lower position of the cabinet.

#### **TWO TIERS, "B" SIZE:**

**DR-B4:** Door assembly, LEXAN window, two tiers, black.

**SBB-B4:** Backbox assembly, two tiers, black.

**BP-4:** Battery panel for N-6000. Used to cover battery and power supply when lower position is used in backbox.

#### **THREE TIERS, "C" SIZE:**

**DR-C4:** Door assembly, LEXAN window, three tiers, black.

**SBB-C4:** Backbox assembly, three tiers, black.

**BP-4:** Battery panel for N-6000. Used to cover battery and power supply when lower position is used in backbox.

#### **FOUR TIERS, "D" SIZE:**

**DR-D4:** Door assembly, LEXAN window, four tiers, black.

**SBB-D4:** Backbox assembly, four tiers, black.

**BP-4:** Battery panel for N-6000. Used to cover battery and power supply when lower position is used in backbox.

#### **OTHER COMPONENTS**

**FSS-CHS-4L:** Chassis, low profile, for mounting LCM,



**N-6000 in "C" sized  
CAB-4 cabinet**

phone system or other optional modules

**FSS-DP-DISP:** Dress plate, for mounting CPU or other modules, usually mounted at the top position in a CAB-4 cabinet.

**ADP-4:** Dress plate, for use with up to four modules mounted in a CAB-4 cabinet.

**DP-1:** Dress plate, blank, solid dress plate, covers unused cabinet row.

**BMP-1:** Blank plate, covers unused modules, install with ADP-4 or FSS-DP-DISP.

**DPDW-1:** Voice and telephone system dress plate, double well.

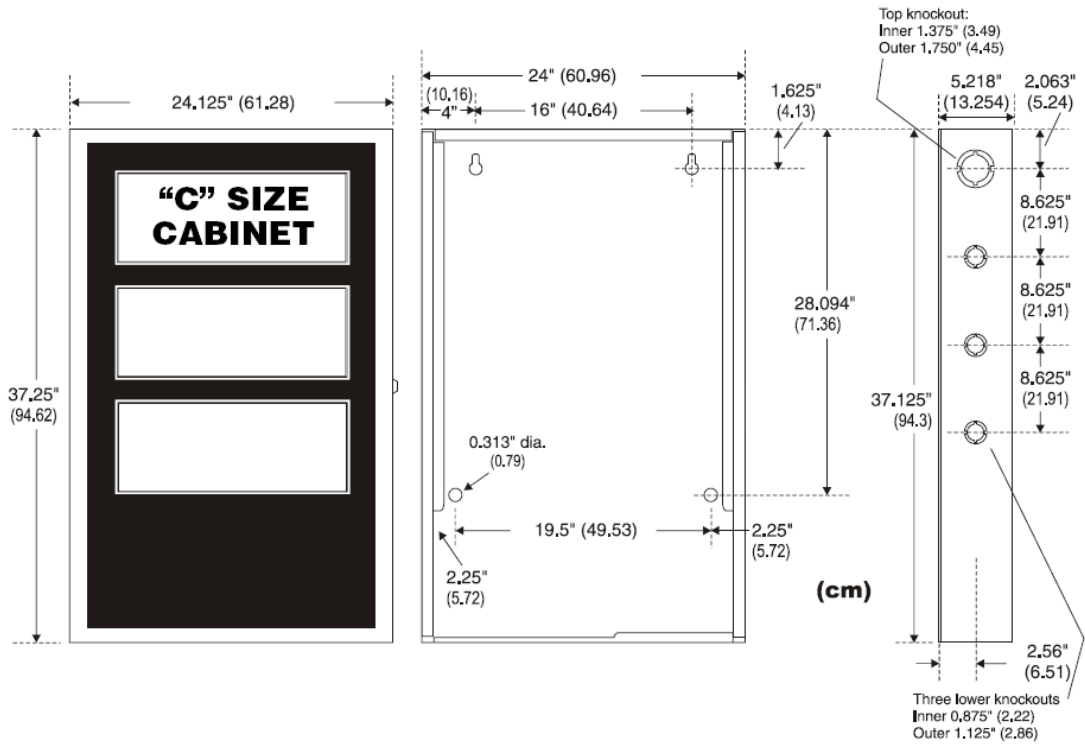
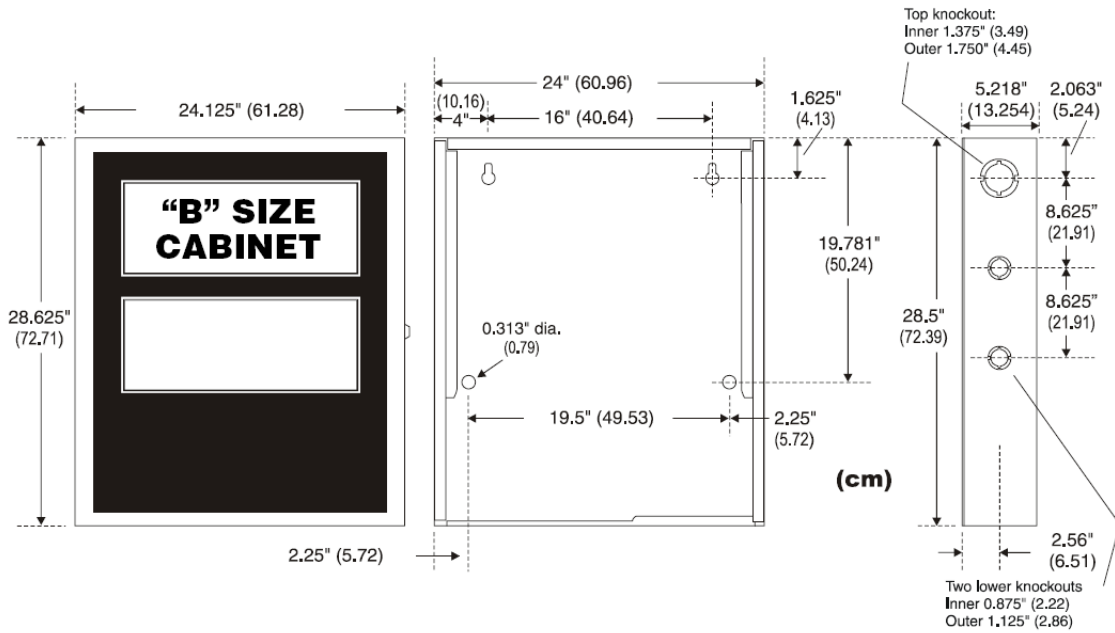
**FSS-BM-1:** Blank plate for unused voice or telephone modules.

NOTIFIER® is registered trademark of Honeywell International Inc.

©2006 Honeywell International Inc. All rights reserved. Unauthorized use of this document is strictly prohibited.

This document is not intended to be used for installation purposes. We try to keep our product information up-to-date and accurate. We cannot cover all specific applications or anticipate all requirements. All specifications are subject to change without notice. For more information, please contact NOTIFIER. Phone: +886 (2) 22487171 Fax: +886 (2) 22450927

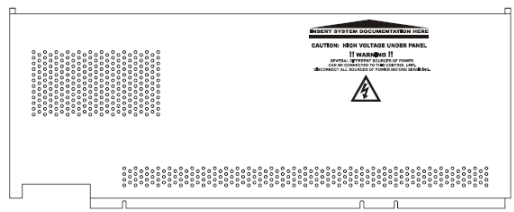
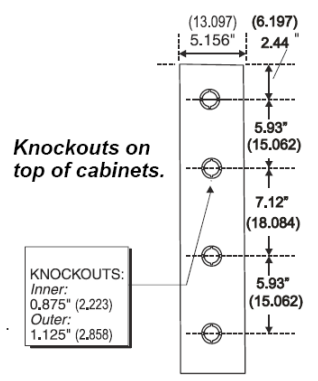
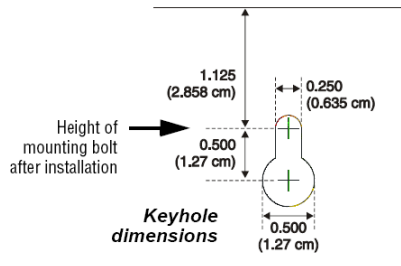
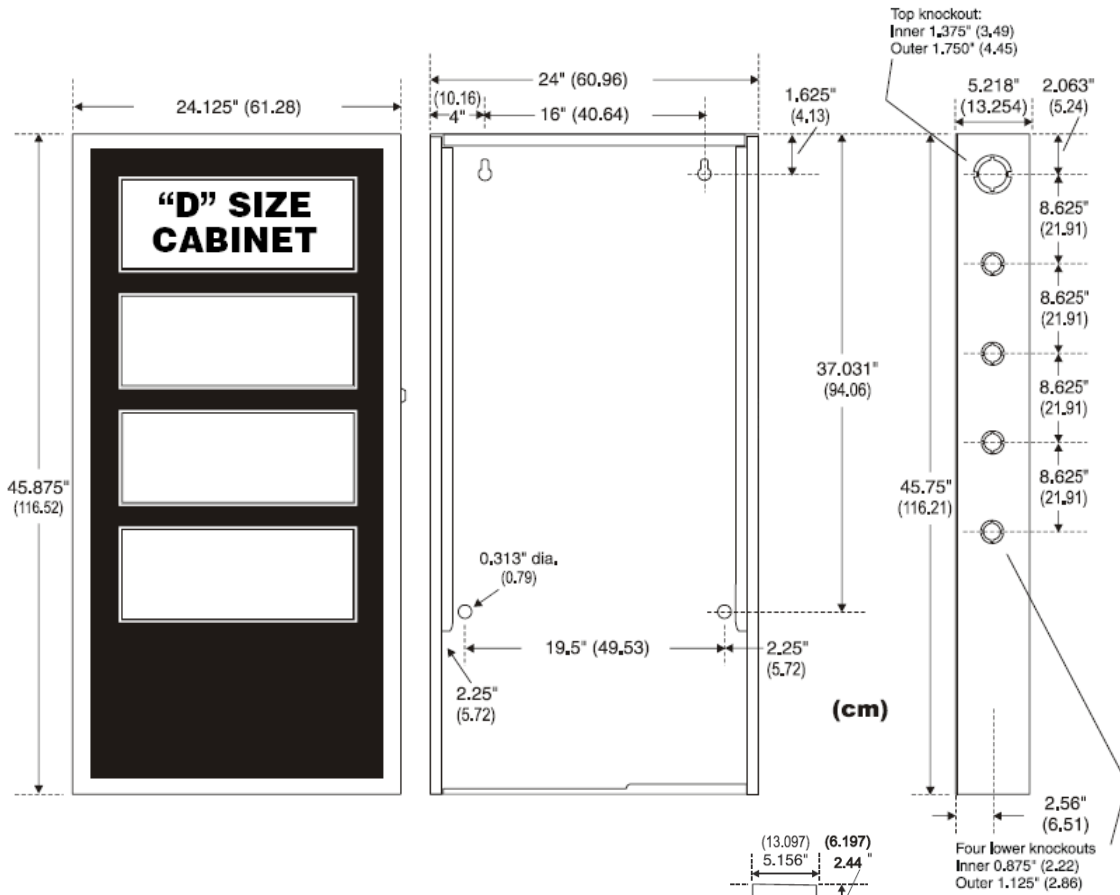
# Cabinet Dimensions and Features



This document is not intended to be used for installation purposes. We try to keep our product information up-to-date and accurate. We cannot cover all specific applications or anticipate all requirements. All specifications are subject to change without notice. For more information, please contact NOTIFIER. Phone: +886 (2) 22487171 Fax: +886 (2) 22450927



# Cabinet Dimensions and Features



**The BP-4 Battery Dress Panel covers the Main Power Supply and the batteries in the cabinet. Only one BP-4 is required per cabinet.**

This document is not intended to be used for installation purposes. We try to keep our product information up-to-date and accurate. We cannot cover all specific applications or anticipate all requirements. All specifications are subject to change without notice. For more information, please contact **NOTIFIER**. Phone: +886 (2) 22487171 Fax: +886 (2) 22450927

**NOTIFIER**  
by Honeywell

